

APPROVAL SHEET

To :

Customer P/N :

UDE P/N : BS-RB10072

Description : RJ45 1X1 Tab Down

Through Hole

10 Base-T

Contact Area : Gold Flash

LED:without LED



Spec No.
BS-0072

Update Date
2010/8/2

| Approved | Checked | Prepared |
|----------|---------|----------|
| | | |



湧德電子 股份有限公司
UDE Corp.

11F-1, No.58, Tongde 11th St., Taoyuan City, Taoyuan County (330), Taiwan
桃園縣桃園市(330)同德十一街58號11F之1

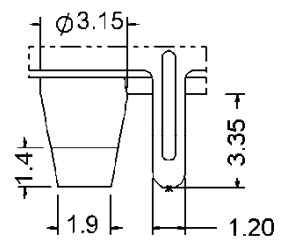
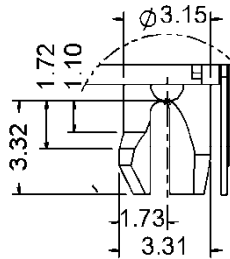
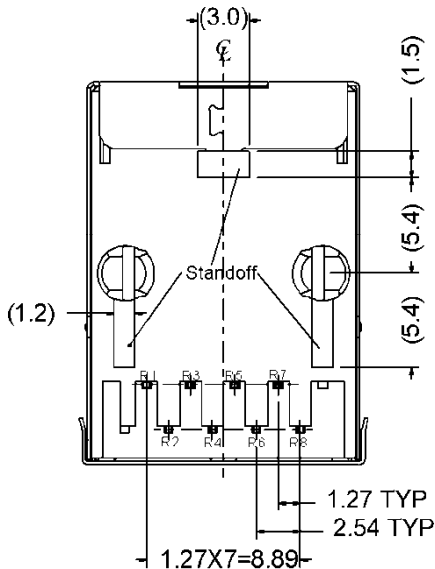
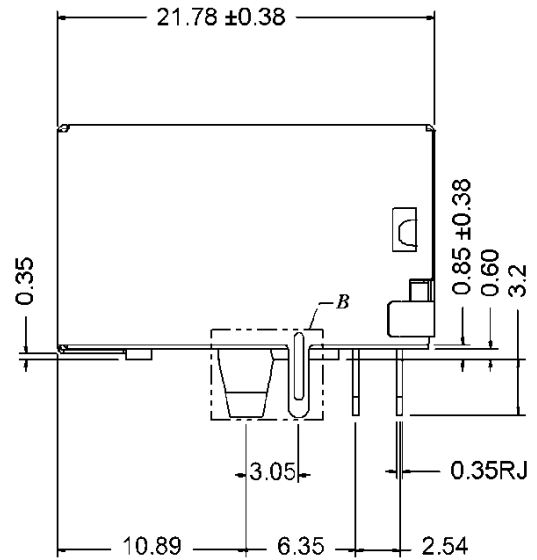
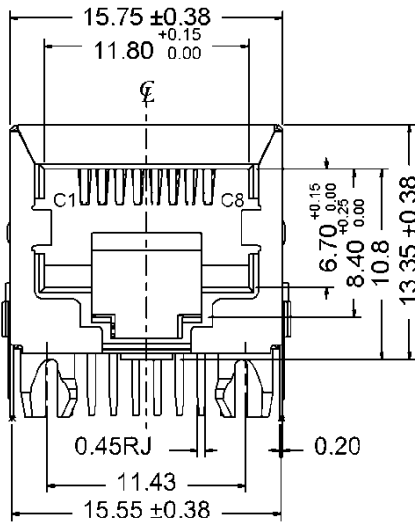
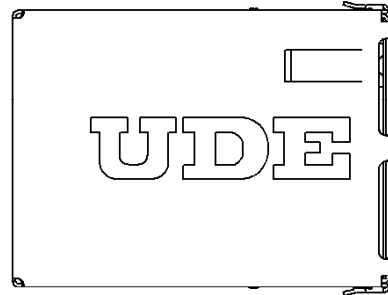
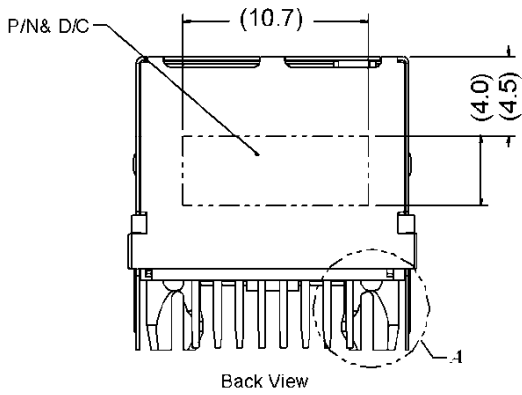
TEL:+886-3-3568600 FAX:+886-3-3560611

<http://www.ude-corp.com/>

1. MECHANICAL DIMENSION

1.1 Product Dimension

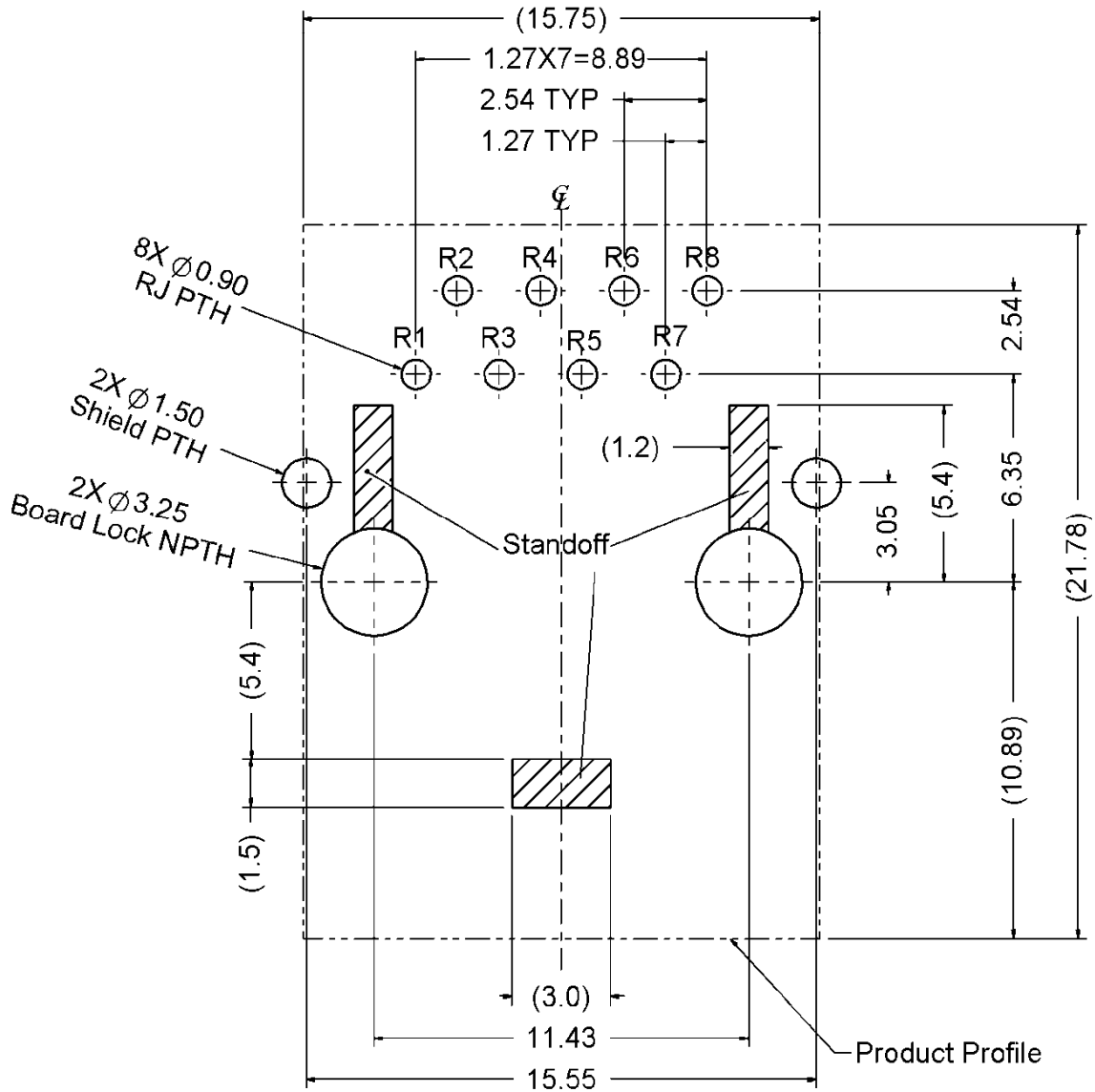
General Tolerance : X.X : ± 0.38
X.XX : ± 0.25



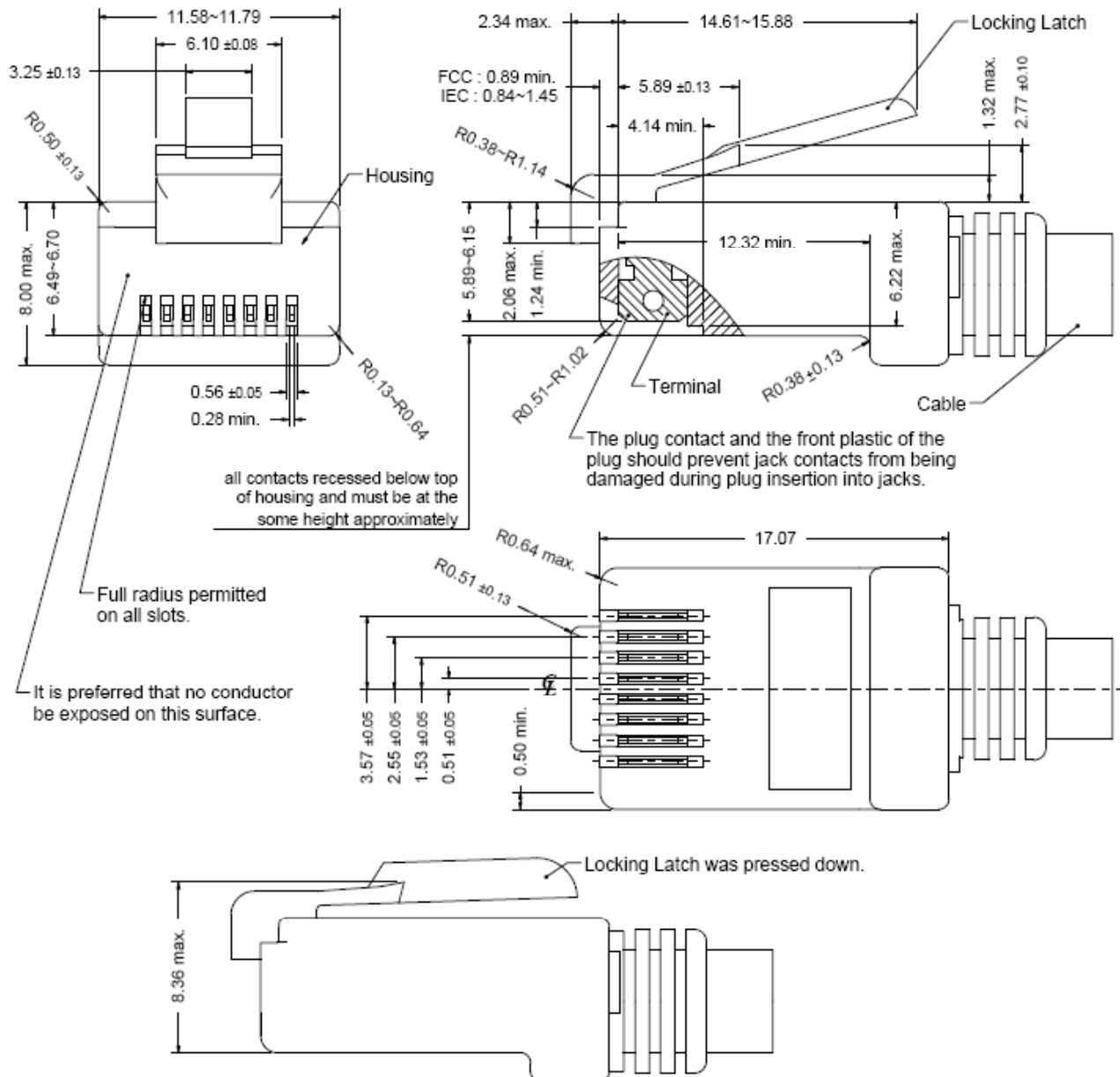
1.2 Recommended PCB Layout

Component Side of Board

All dimension tolerance are $\pm 0.05\text{mm}$ unless otherwise specified



1.3 Standard RJ45 Plug Specification



- All dimensions follow :
FCC subpart F, 68,500, Figure (C)(2)(i) & (C)(2)(ii) & (C)(3)(i)
IEC 60603-7
- All plugs must be meeting the requirements of plug Go & No-Go gauge.
Gauge follow : FCC subpart F, 68,500, Figure (C)(4)(i) & (C)(5)(i)
- There must be no damage to Housing and Locking Latch.
- There must be no nicks and cuts in cable.
- Durability : 750 cycles generally

2. REQUIREMENTS

2.1 Design and Construction

Product shall be of design, construction and physical dimensions specified on applicable.

2.2 Material

2.2.1 Terminal Parts (Underplating : 30 μ " min. Nickel overall)

2.2.1.1 RJ Terminal : PH. Bronze, Thickness=0.30mm

Finish : Contact Area : Gold Flash

2.2.1.2 Input Terminal : Brass, Thickness=0.35mm

Finish : 100 μ " min. Tin

2.2.1.3 Case Terminal : Brass, Thickness=0.30mm

Finish : 100 μ " min. Tin

2.2.2 Plastic Parts <UL94V-0>

2.2.2.1 Housing : High Temperature Thermoplastic, Black

2.2.2.2 Case : High Temperature Thermoplastic, Black

2.2.3 Shield Parts : Stainless, Thickness=0.20mm, Pre-soldering

2.3 Operating and Storage Temperature

Operating Temperature : 0°C to +70°C

Storage Temperature : -40°C to +85°C

2.4 RJ45 specifications

Insulation Resistance 500MΩ min.

Insertion force with the latch depressed 22N max

Removal force with the latch depressed 44N max

Locking Force of Plug Latch : 50N min. @ 60+/-5 sec

Durability : 750 cycles

2.5 Performance and Test Description

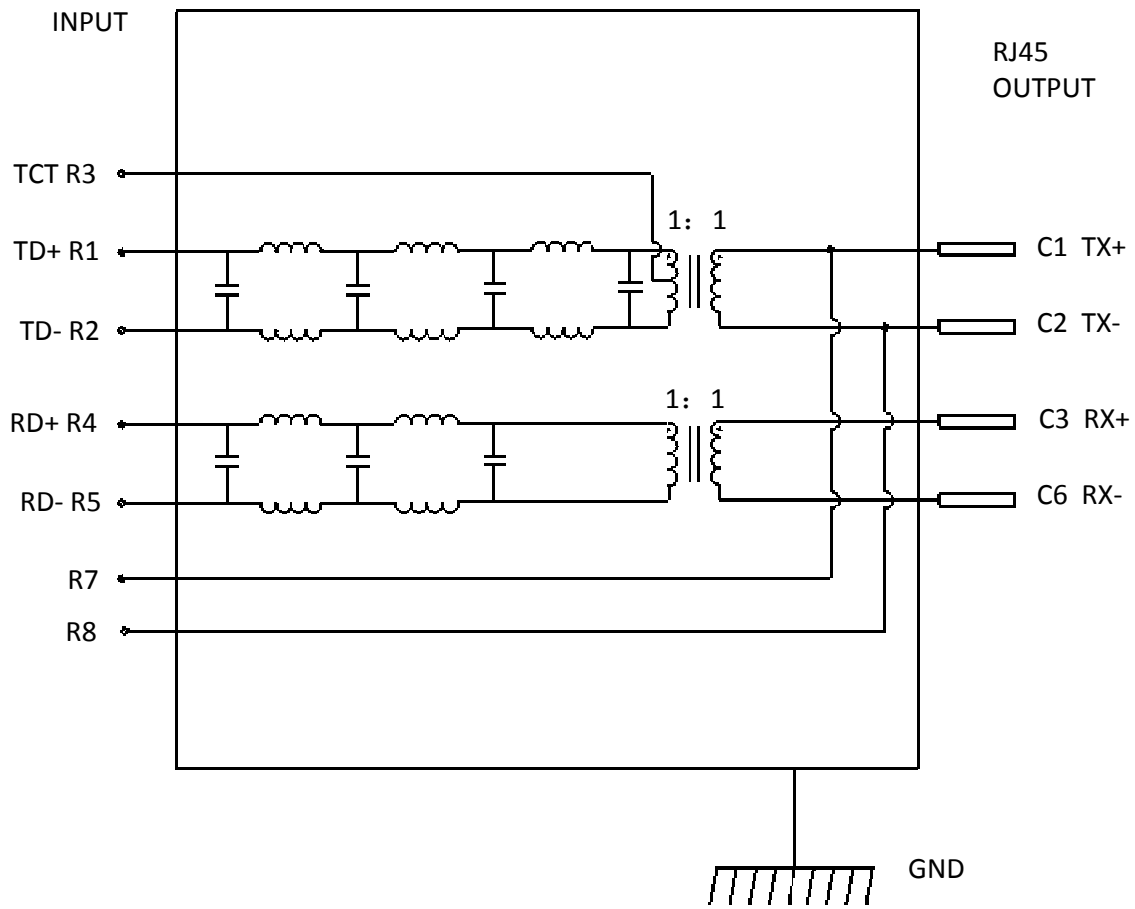
Product is designed to meet electrical, mechanical and environmental performance requirements specified in below table. All tests are performed at ambient environmental conditions per MIL-STD-1344A and EIA-364 unless otherwise specified.

2.6 Packaging and Packing

All parts shall be packaged and packed to protect against physical damage, corrosion and deterioration during shipment and storage.

3. ELECTRICAL CHARACTERISTICS

3.1 Schematic



3.2 Transmitter filter

Type : Balance low pass 100Ω impedance

Cut off frequency : 17±1.5MHz -3.0dB TYP

Insertion loss : 1~10 MHz -1.0dB max.

@30 MHz -28dB min.

@40 MHz -33dB min.

Return loss : 1~10 MHz -13dB min. load 100Ω

3.3 Receiver filter

Type : Balance low pass 100Ω impedance

Cut off frequency : 17±1.5MHz -3.0dB TYP

Insertion loss : 1~10 MHz -1.0dB max.

@30 MHz -16dB min.

@40MHz -26dB min.

Return loss : 1~10 MHz -13dB min. load 100Ω

3.3 Common Mode Rejection

@ 1~100 MHz -25dB min.

3.4 Cross Talk

@ 1~100 MHz -30dB min.

3.6 HiPot Test

Input(R1-R2) To Output(C1-C2) : 1000Vac 60s

Input(R4-R5) To Output(C3-C6) : 1000Vac 60s

4. DIPPING TEMPERATURE PROFILE

Note :

The measuring point for the specified temperature shall be on the soldered part of the lead.

